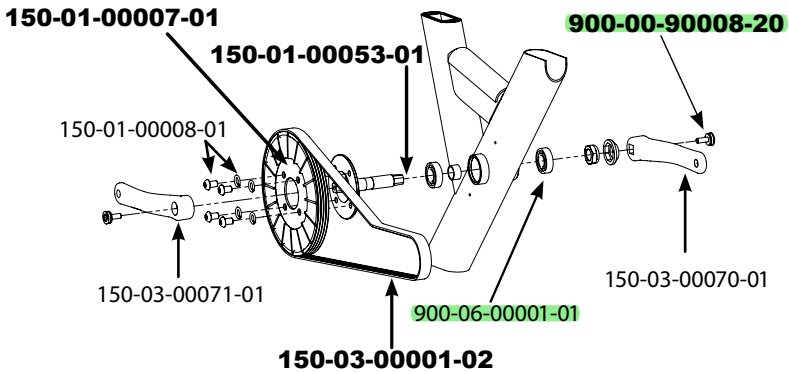


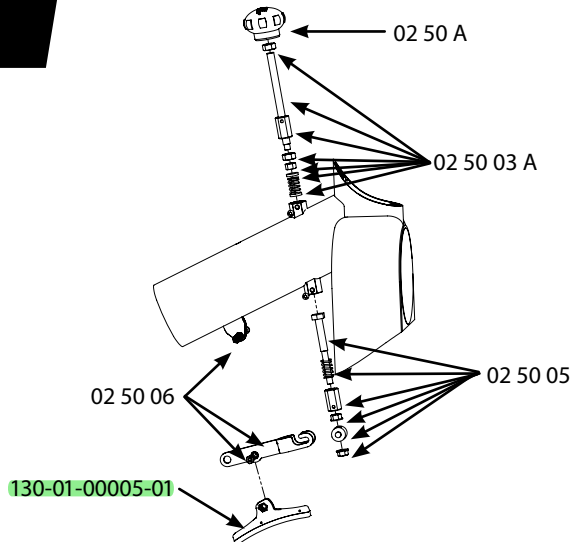
# SPARE PARTS

## Matrix IC2

### DRIVE GEAR PARTS

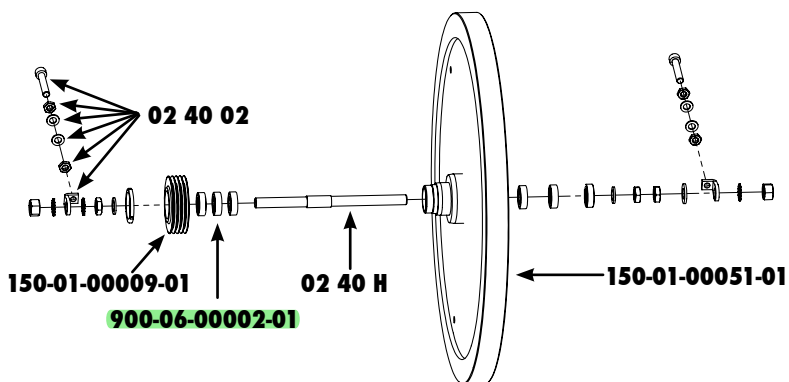


### BRAKE PARTS

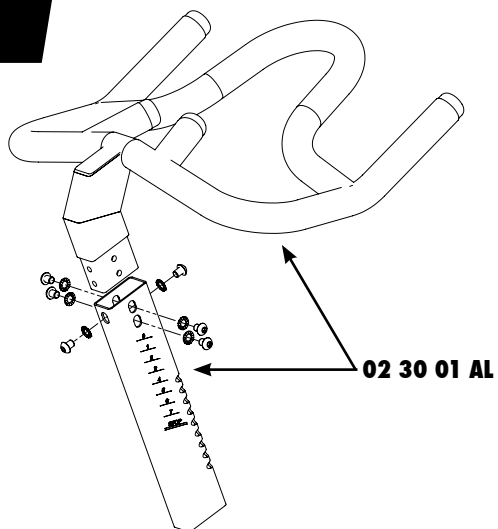


# SPARE PARTS

## FLYWHEEL

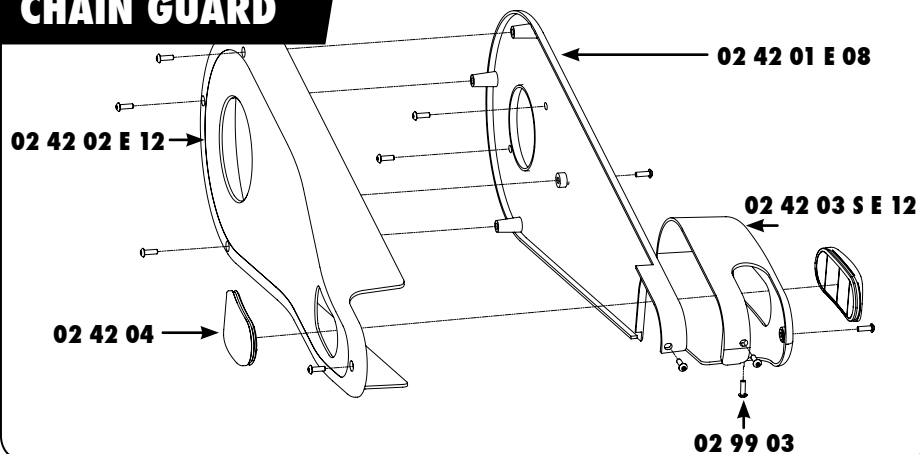


## HANDLEBAR

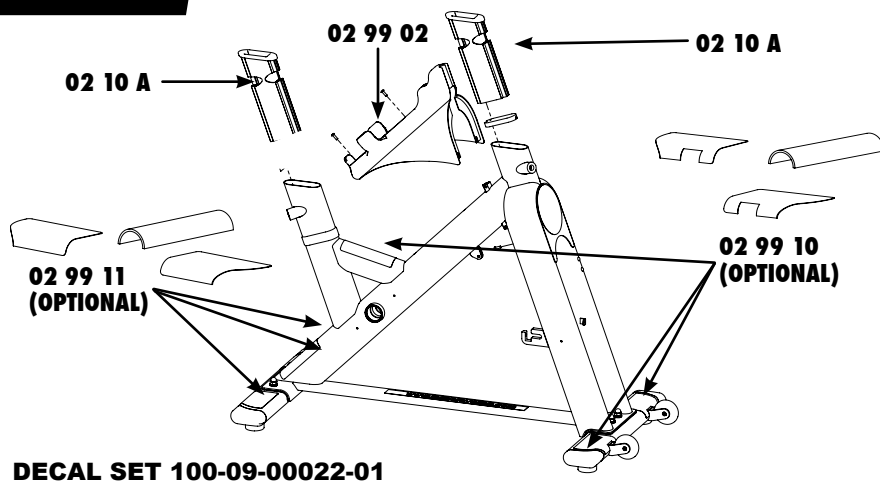


# SPARE PARTS

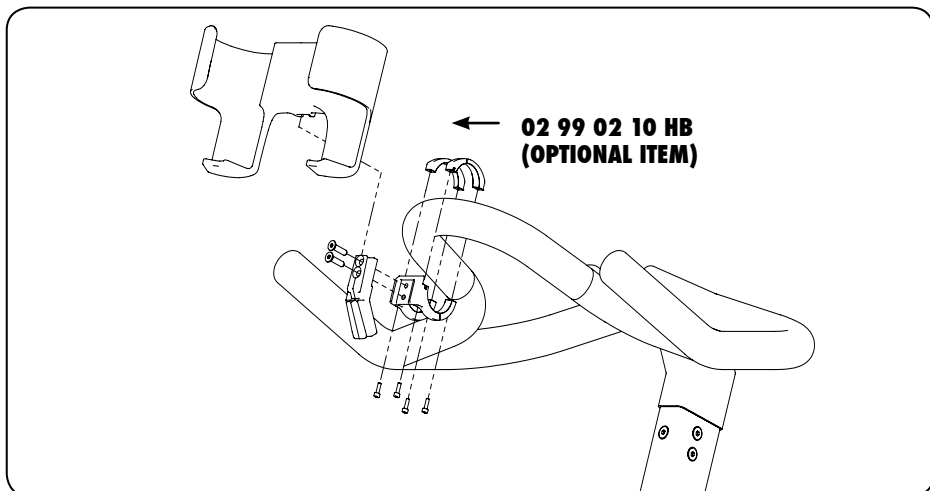
## CHAIN GUARD



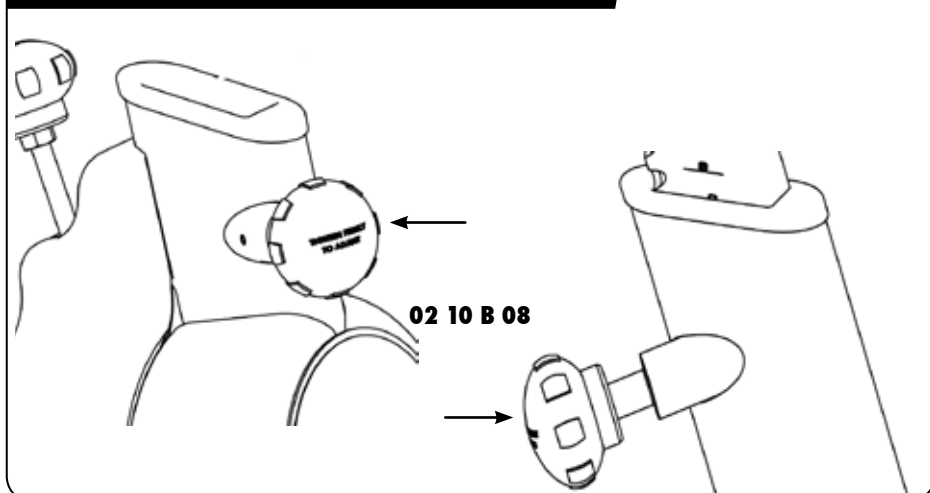
## FRAME



# SPARE PARTS

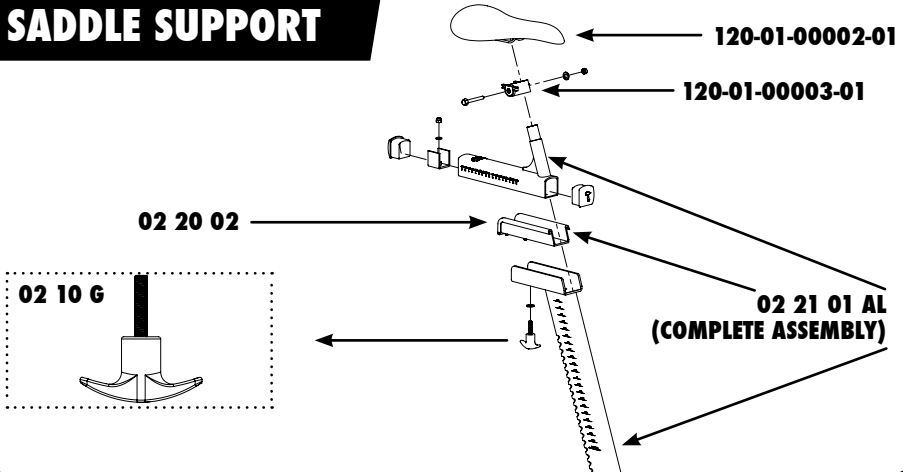


## POP PIN ADJUSTMENT KNOBS

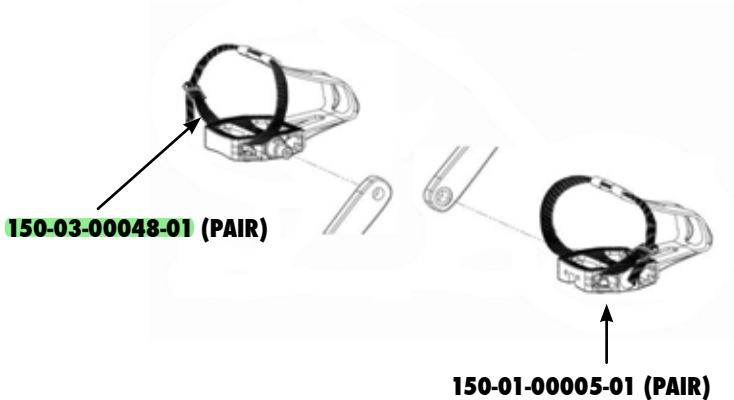


# SPARE PARTS

## SADDLE SUPPORT



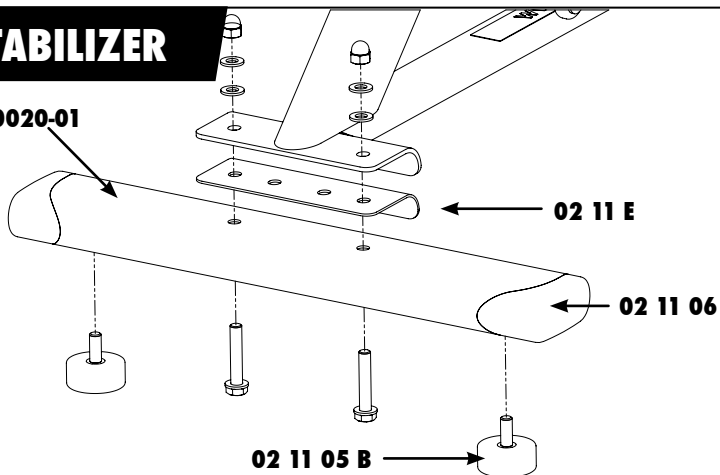
## PEDALS



# SPARE PARTS

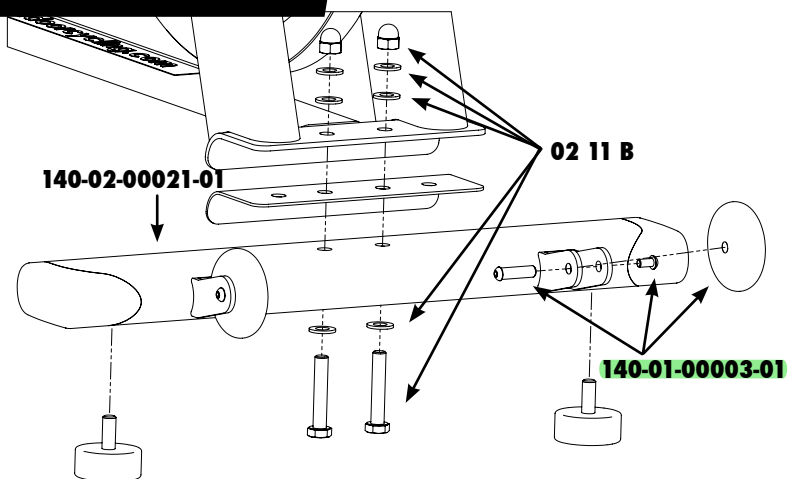
## REAR STABILIZER

140-02-00020-01



## FRONT STABILIZER

140-02-00021-01



Reference Number	Part #	Description	Notes
02 10 A	ZMS3000261	Tomahawk-Insert Sleeve E-S Series	Group: Frame
02 10 B 08	ZMS3000298	Tomahawk-Pop Pin Adjustment Knob for	Group: Pop Pin Adjustment Knobs
02 10 G	ZMS4000294	Tomahawk-Retrofit Kit	Group: Saddle and Handlebar
02 11 05 B	ZMS4004688	LEVELING FEET, RUBBER 75Deg.SHORE (2	Group: Rear Stabilizer
02 11 06	ZMS3000314	Tomahawk-Black Plastic End Cap-E Series	Group: Rear Stabilizer
02 11 B	ZMS3000320	Tomahawk-Stabilizer Mounting Kit E/S	Group: Front Stabilizer
02 11 E	ZMS3000321	Tomahawk-PVC Gasket	Group: Rear Stabilizer
02 20 02	ZMS3000308	Tomahawk-Insert Sleeve E-Series	Group: Saddle and Handlebar
02 21 01	ZMS3000401	Tomahawk-S-X Series Saddle Support	Group: Saddle
02 21 01 AL	ZMS3000399	Tomahawk-E Series Bike Saddle Support	Group: Saddle
02 30 01 AL	ZMS3000405	Tomahawk-E Series Handlebar Aluminum	Group: Handlebar
02 40 02	ZMS4000110	Tomahawk-Chain/belt tensioning	Group: Flywheel
02 40 H	ZMS3000269	Tomahawk-Flywheel Axle E-S Series	Axle with hardware
02 42 01 E 08	ZMS3000291	Tomahawk-Inner Chain Guard-E Series	Group: Chain Guard
02 42 02 E 12	ZMS4001782	Outer Chain Guard;E series	Group: Chain Guard
02 42 03 S E 12	ZMS4003527	left flywheel hub cover for S & E-Series	Group: Chain Guard
02 42 04	ZMS3000295	Tomahawk-Plastic Pop Out Cover for	Group: Drive Gear
02 50 03 A	ZMS3000283	Tomahawk-Upper Brake Assembly E	Group: Brake
02 50 05	ZMS3000284	Tomahawk-Lower Brake Assembly E-	Group: Brake
02 50 06	ZMS3000282	Tomahawk-Retainer for Brake Pad-E	Group: Brake
02 50 A	ZMS3000285	Tomahawk-Brake Adjustment and	Group: Brake
02 99 02	ZMS3000286	Tomahawk-Plastic Sweat Guard E-Series	Group: Frame
02 99 02 10 HB	ZMS4000437	E&S-Series Dual Water Bottle Holder &	Group: Handlebar
02 99 03	ZMS4000115	Tomahawk-Allen bolt M4X15 with	Group: Chain Guard
100-09-00003-02	ZMS4004678	DECAL TRIBAL - FRONT FORK TRANSFER	Group: Frame
100-09-00012-02	ZMS4004682	MATRIX BADGE, RECTENGULAR,	Group: Frame
100-09-00022-01	ZMS4003532	MX FRAME DECAL SET IC2	Group: Frame
100-09-00023-01	ZMS4003530	DECAL IC2-SEAT POST TUBE ALUMINIUM	Group: Frame
100-09-00024-01	ZMS4003531	DECAL IC2-SEAT POST TUBE ALUMINIUM	Group: Frame
120-01-00002-01	ZMS4005406	SPORT SADDLE BLACK & RED INCL.	Group: Saddle
120-01-00003-01	ZMS3000410	Tomahawk-Saddle mounting Bracket for	Group: Saddle
120-01-00011-01	ZMS4004690	END CAP SET SEAT SLIDER FOR IC2	Group: Saddle
120-01-00015-01	ZMS4005406	SPORT SADDLE BLACK & RED INCL.	Group: Saddle. Thinner saddle. Allows shorter
130-01-00005-01	ZMS3000373	Tomahawk- Brake Pads, E & S Series	Group: Brake
140-01-00003-01	ZMS3000316	Tomahawk-Transport Wheel E/S Series	Group: Frame
140-02-00020-01	ZMS4003528	REAR STABILIZER WELDMENT	Group: Rear Stabilizer
140-02-00021-01	ZMS4003529	FRONT STABILIZER WELDMENT	Group: Front Stabilizer
150-01-00005-01	ZMS4005733	COMBI PEDAL SET, SPD COMPATIBLE	
150-01-00008-01	ZMS4000109	Tomahawk-Pulley tighten bolts	Group: Drive Gear
150-01-00009-01	ZMS4000108	Tomahawk-Pulley front incl. ring	Group: Flywheel
150-01-00051-01	ZMS4003526	FW WHEEL ASSEMBLY FOR V-BELT DRIVE	Group: Flywheel, includes ZMS4003525
150-01-00053-01	ZMS4006852	BOTTOM BRACKET KIT	
150-03-00001-02	ZMS3000274	Tomahawk-Contitech Belt 1397/550L E-S	Group: Drive Gear
150-03-00007-01	ZMS4000107	Tomahawk-Pulley Rear	Group: Drive Gear
150-03-00048-01	ZMS3000328	Tomahawk-Toe Strap	Group: Pedals
150-03-00070-01	ZMS4003522	LEFT CRANK ARM; RED	Group: Drive Gear
150-03-00071-01	ZMS4003523	RIGHT CRANK ARM; RED	Group: Drive Gear
150-09-00003-01	ZMS4004662	FLYWHEEL COVER DECAL SET	Group: Flywheel
180-03-00100-01	ZMS4004698	T-HANDLE M8	Group: Saddle
190-01-00027-01	ZMS4004688	LEVELING FEET, RUBBER 75Deg.SHORE (2	Group: Frame
190-01-00035-01	ZMS4004666	BRICK MAGNET 15 x 10 x 5MM IC5/7	This is a replacement for discontinued parts

390-01-00001-01	ZMS4004415	ANT+ Console Membrane Set for IC2,3,5	Group: Electronic Components
900-00-90008-20	ZMS3000263	Tomahawk-Crank Mounting Bolts	Group: Drive Gear
900-06-00001-01	ZMS4003524	BALL BEARING, 6004 2z, 42mm x 20mm x	Group: Drive Gear
900-06-00002-01	ZMS4003525	BALL BEARING, 6001 2z, 28mm x 12mm x	Group: Drive Gear
900-11-00003-01	ZMS4004666	BRICK MAGNET 15 x 10 x 5MM IC5/7	Group: Drive Gear
CO-TK3WL-01	ZMS4004413	IC5 Ant+ Console & Bike Transmitter Kit	Includes the ANT+ computer console
Not Shown	ZMS4001213	Screw;Flat;Handlebar;M8x10L;Stainless	These are the screws in 02 30 01 AL.
02 30 01 SC	Not available	HANDLEBAR MOUNTING KIT	Group: Handlebar
100-03-00020-01	1000351985	RUBBER STOP - HANDLEBAR TUBE FOR	Group: Frame
320-00-00001-01	ZMD4001580	ANT+ COMPUTER, WIRELESS, INCL.	Group: Electronic Components Return for
320-00-00002-01	ZMD4001581	ANT+ BIKE MOUNTING AND	Group: Electronic Components
02 11 05 B	ZMS3000317	Tomahawk-Leveling Rubber Foot E/S	Discontinued - Group: Rear Stabilizer
02 40 D	ZMS4004648	CHAIN HYPERGLIDE 1/4" x 1/2"	Discontinued - Group: Drive Gear
02 40 E	ZMS4004649	16 TEETH SPROCKET INCL. LOCK RING	Discontinued - Group: Drive Gear
02 40 F 4	ZMS4004650	CHAIN RING, 52 TEETH FOR MD 20	Discontinued - Group: Drive Gear
120-01-00002-01	ZMS4003466	COMFORT SADDLE BLACK/RED INCL.	Discontinued - Group: Saddle
120-01-00015-01	ZMS4004693	2015 LESSER CUSHIONED SPORT SADDLE	Discontinued - Group: Saddle. Thinner saddle.
150-01-00005-01	ZMS3000327	Tomahawk-Combination Pedal with toe	Discontinued - Group: Drive Gear
150-01-00005-01	ZMS4004651	COMBI PEDAL SET - SPD COMPATIBLE	Discontinued
150-01-00007-01	ZMS4004652	CRANK PULLEY KIT FOR V-BELT DRIVE	Discontinued - Group: Drive Gear
150-01-00038-01	ZMS4004658	CRANK PULLEY 52 TEETH FOR CHAIN	Discontinued - Group: Drive Gear
150-01-00052-01	ZMS4004660	FLYWHEEL (15 KG) ASSEMBLY FOR CHAIN	Discontinued - Group: Flywheel
190-01-00025-01	ZMS4004664	CHAIN DRIVE SET	Discontinued - Group: Drive Gear
190-01-00027-01	ZMS4003045	Rubber Feet;Myride Vx	Discontinued - Group: Frame
190-01-00035-01	ZMS4004412	BRICK MAGNET 15 X 10 X 5MM SET	Group: Drive Gear